

# ALL IN ONE SOLAR LED STREET LIGHT



RoHS

CB

IP65

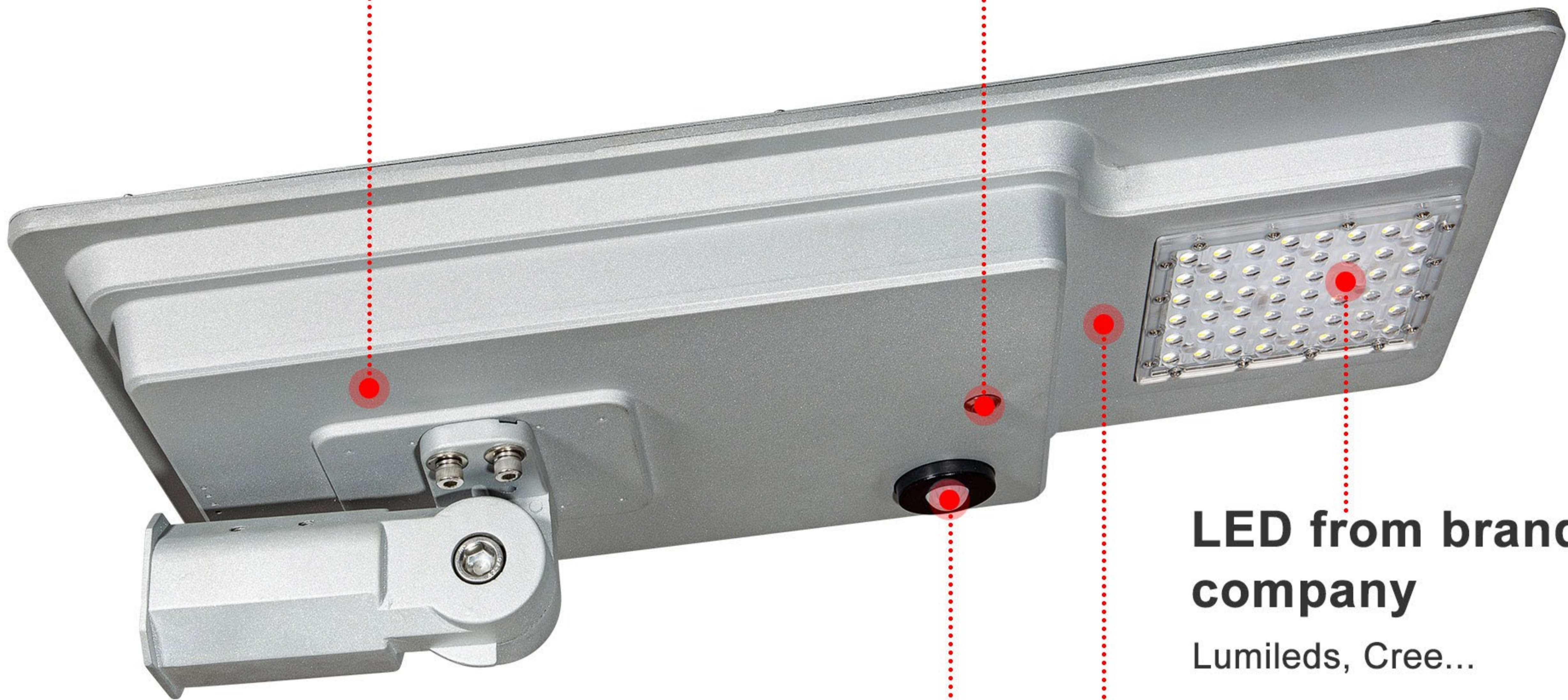
# Function & Features

---

## LiFePo4 Battery

Charging & discharging for 2000 cycles.

## Switch for on/off



## LED from branded company

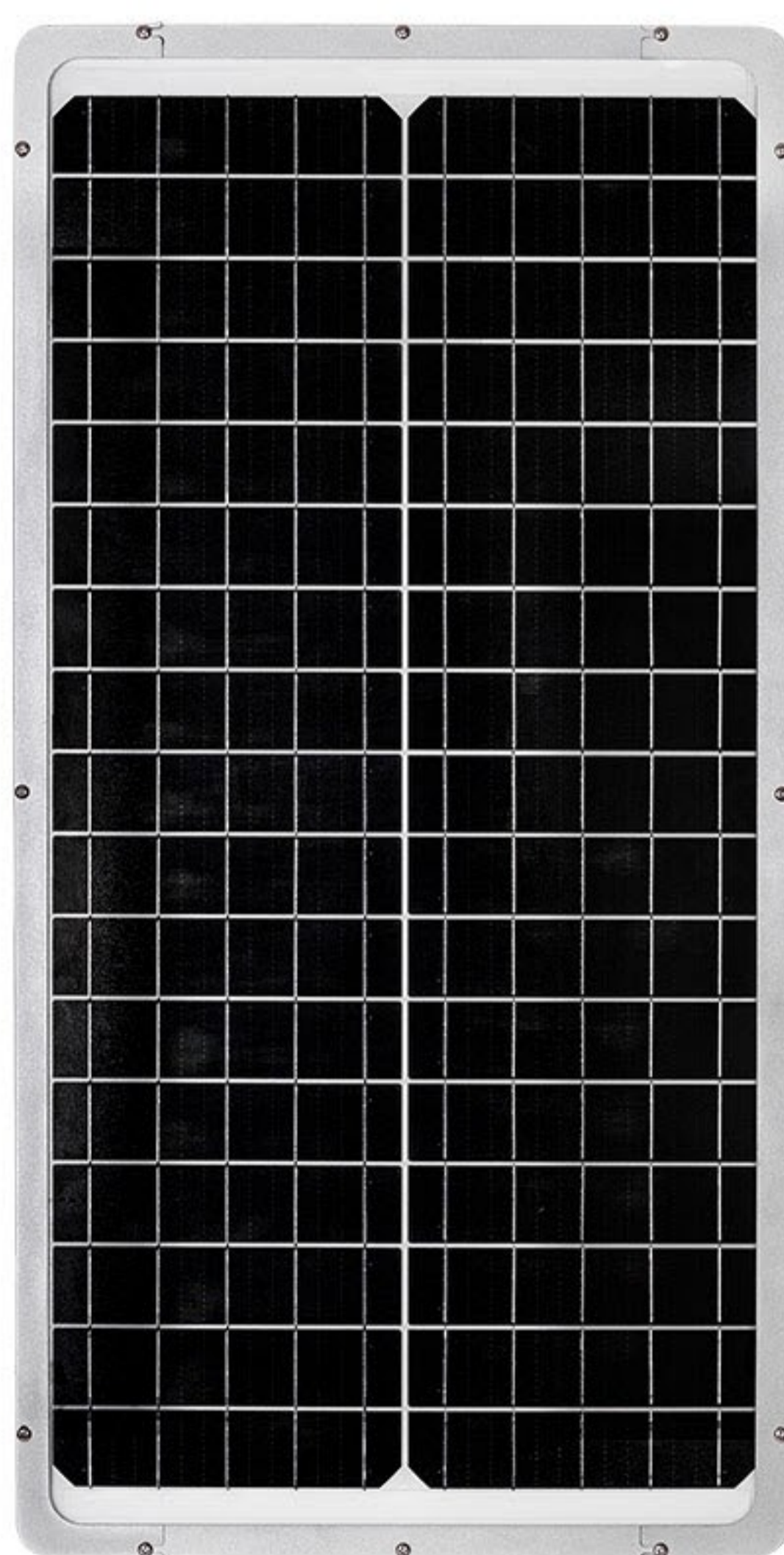
Lumileds, Cree...

## Heat Radiator

Stretching aluminum heat radiator.

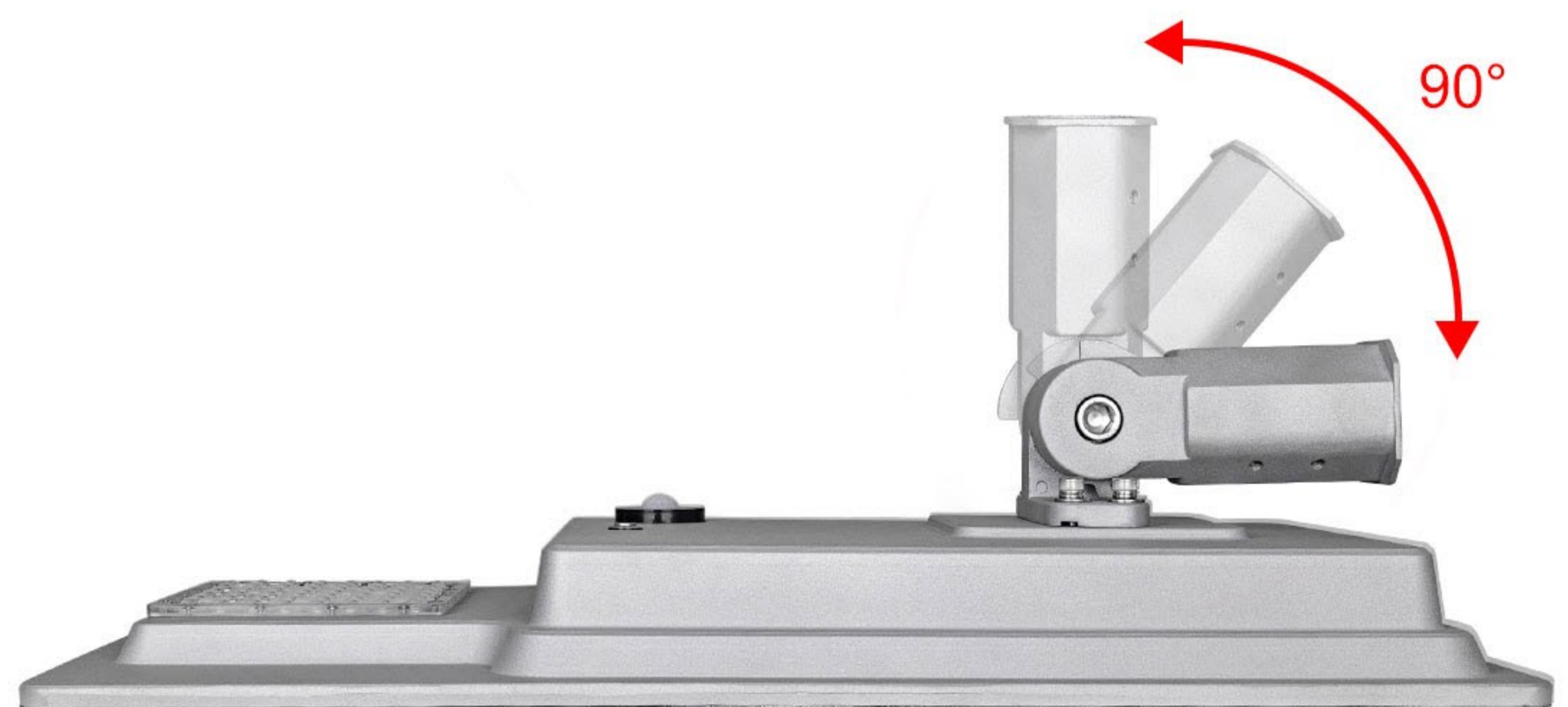
## Sensor

Lamp adopts sensor dimming functions, with or without infrared/ microwave sensor are optionals as well.



## Solar Panel

Great A cell, monocrystal silicon with 18-20% conversion efficiency.



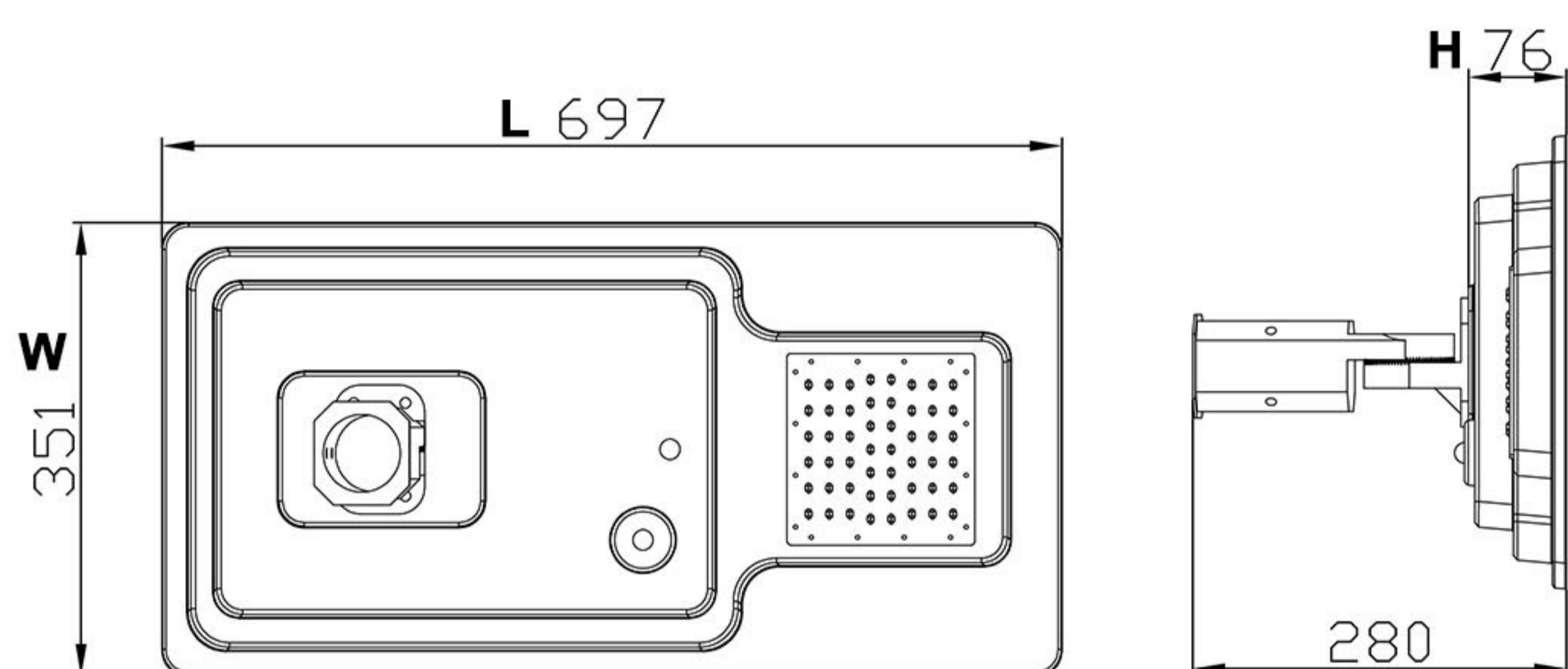
## Adjustable Adapter

Adjustable angle die-casting, 0-90° for different project lightings requirement when installed.

# Technical Parameters

| Model No.                   | BSYT10Z-FVG                                   | BSYT20Z-FVG | BSYT30Z-FVG |
|-----------------------------|---|-------------|-------------|
| Voltage                     | DC12V   | DC12V       | DC12V       |
| Nominal Wattage             | 10W   | 20W         | 30W         |
| Luminaire Efficacy          | >120 lm/W                                     | >120 lm/W   | >120 lm/W   |
| C.C.T                       | 2700K / 3000K / 4000K / 5000K / 5700K / 6500K |             |             |
| C.R.I                       | 75±5  | 75±5        | 75±5        |
| Control System              | Infrared Sensor / Microwave Sensor            |             |             |
| Monocrystalline Solar Panel | 45W   | 45W         | 45W         |
| Lithium Battery             | 12Ah/12.8V                                    | 18Ah/12.8V  | 24Ah/12.8V  |
| Controller                  | MPPT Smart Solar Controller                   |             |             |
| Dimming Working Time(20%)   | 36H   | 27H         | 18H         |
| Charging Time               | 6-8H  | 8-10H       | 10-12H      |
| Working Temperature         | -20°C-45°C                                    | -20°C-45°C  | -20°C-45°C  |
| Install Height              | 3-5M  | 4-5M        | 4-6M        |

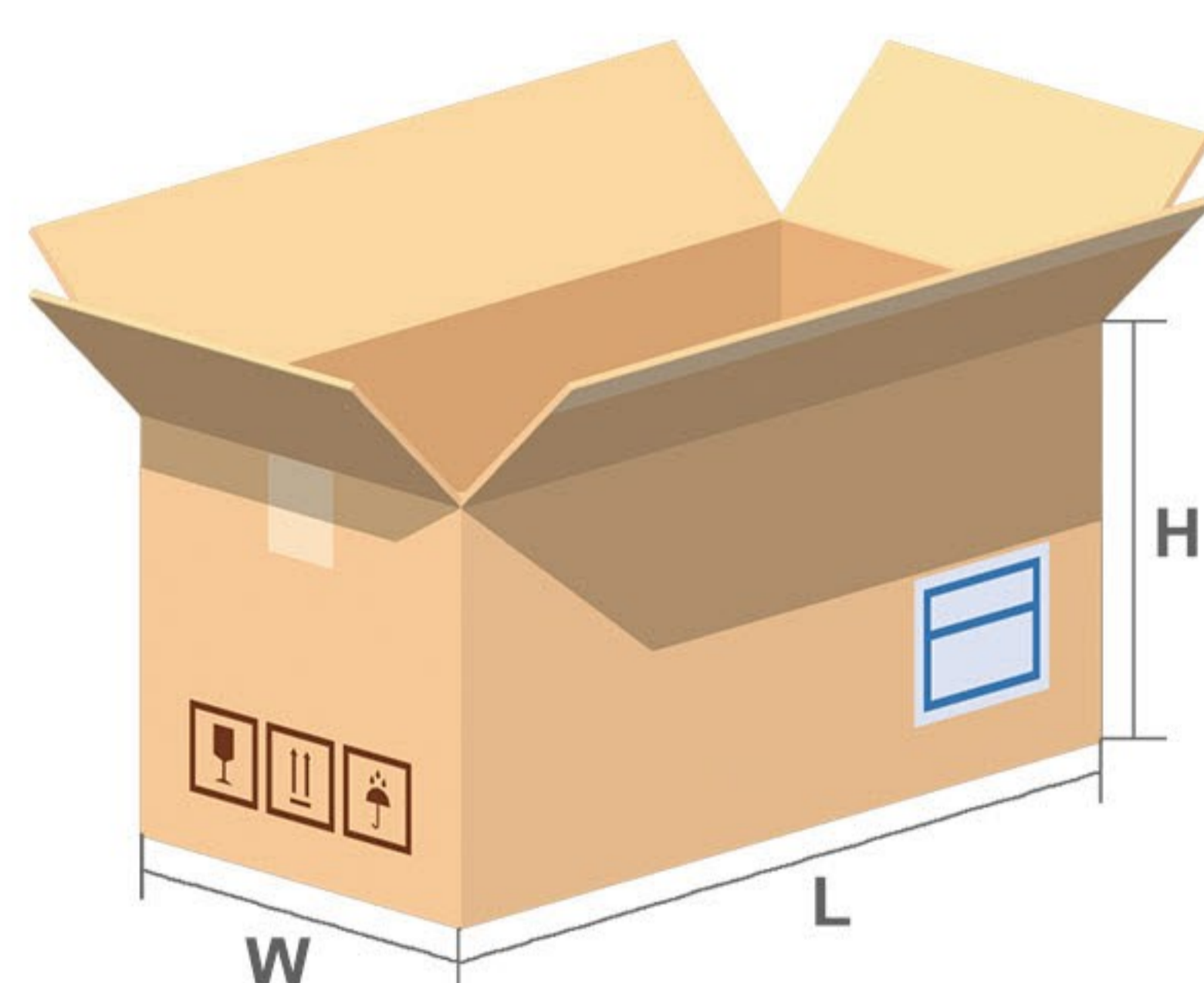
## Product Size



Unit: mm

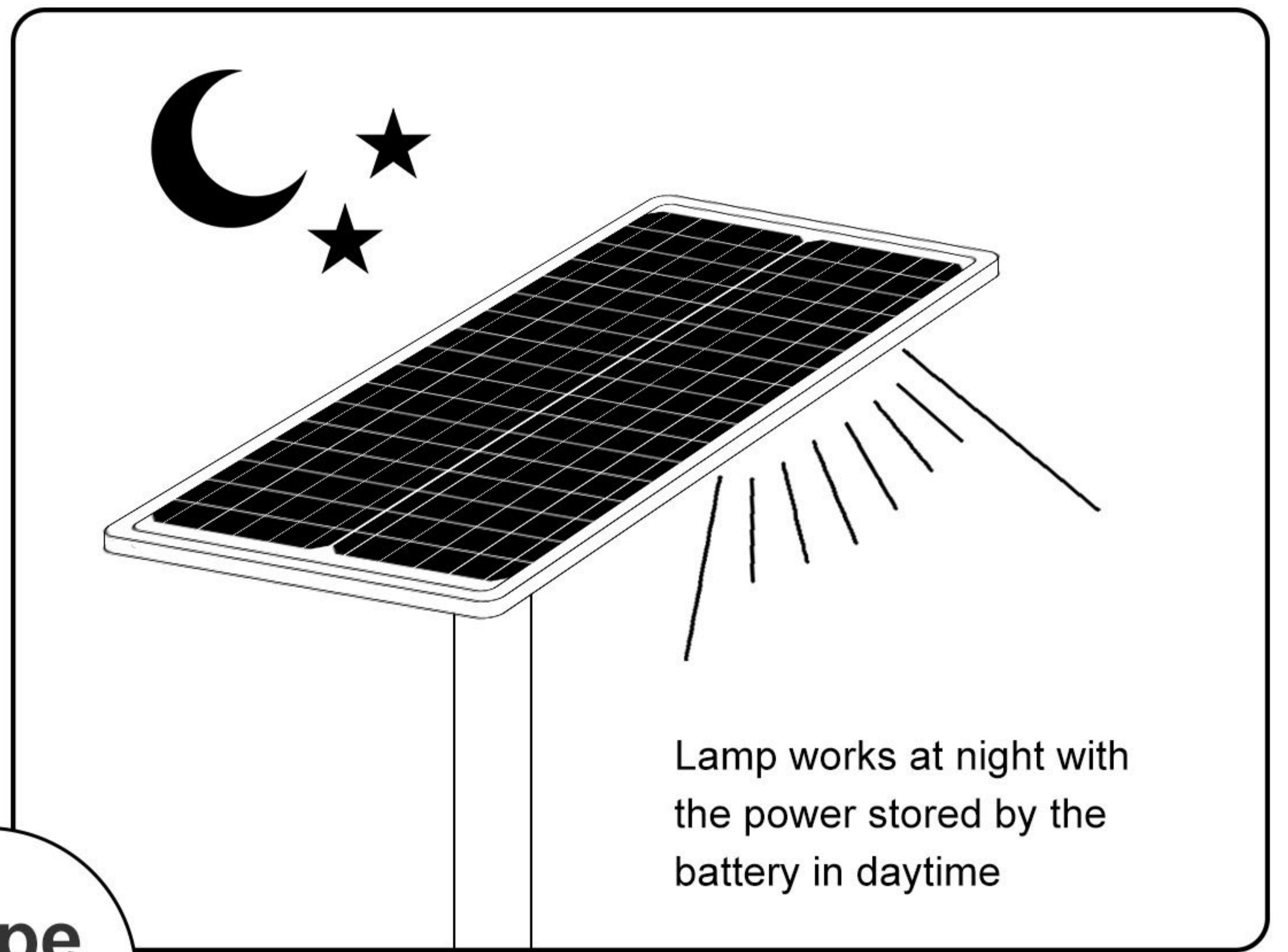
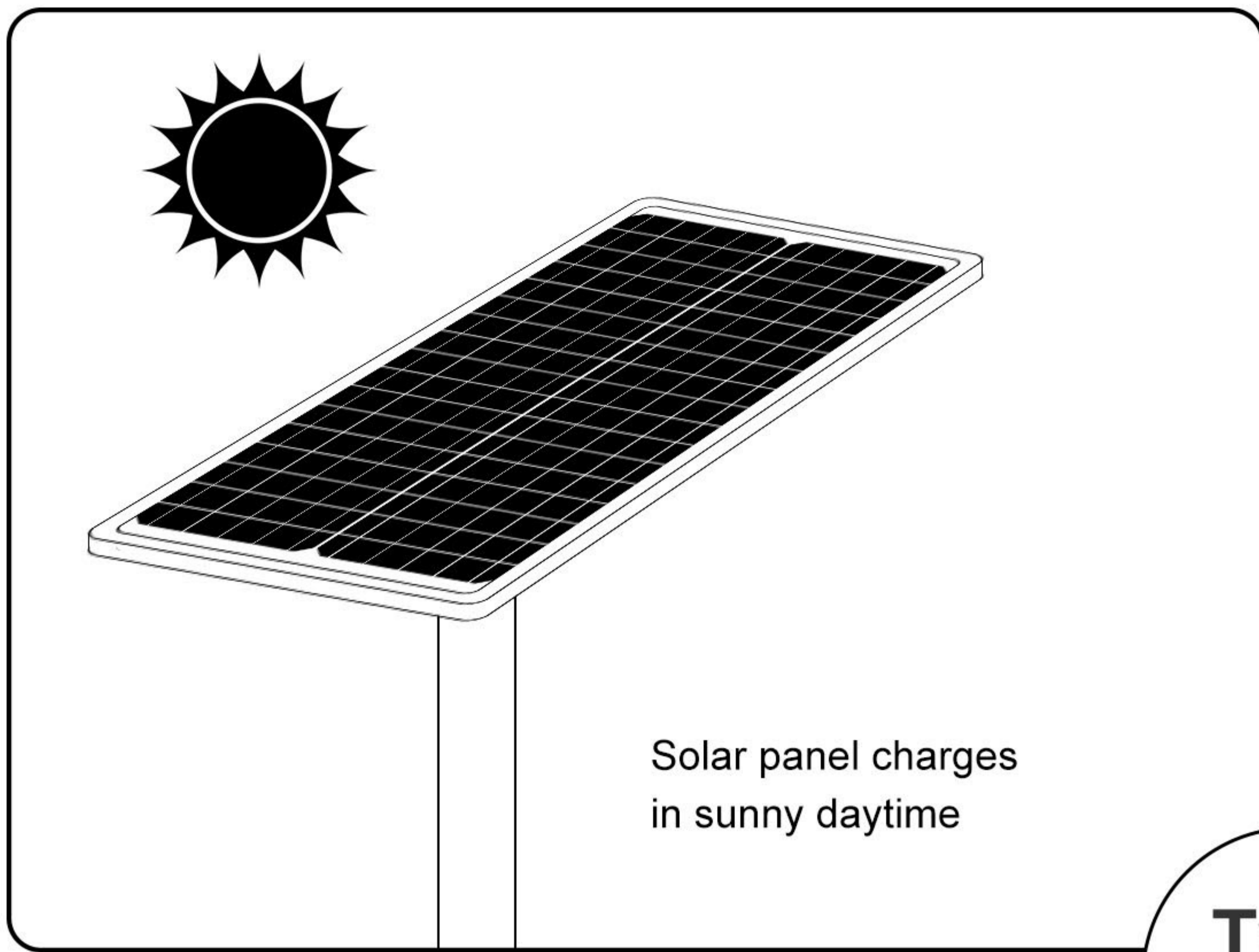
| Model | BSYT10Z-FVG | BSYT20Z-FVG | BSYT30Z-FVG |
|-------|-------------|-------------|-------------|
| L     | 697         | 697         | 697         |
| W     | 351         | 351         | 351         |
| H     | 76          | 76          | 76          |

## Packing Size

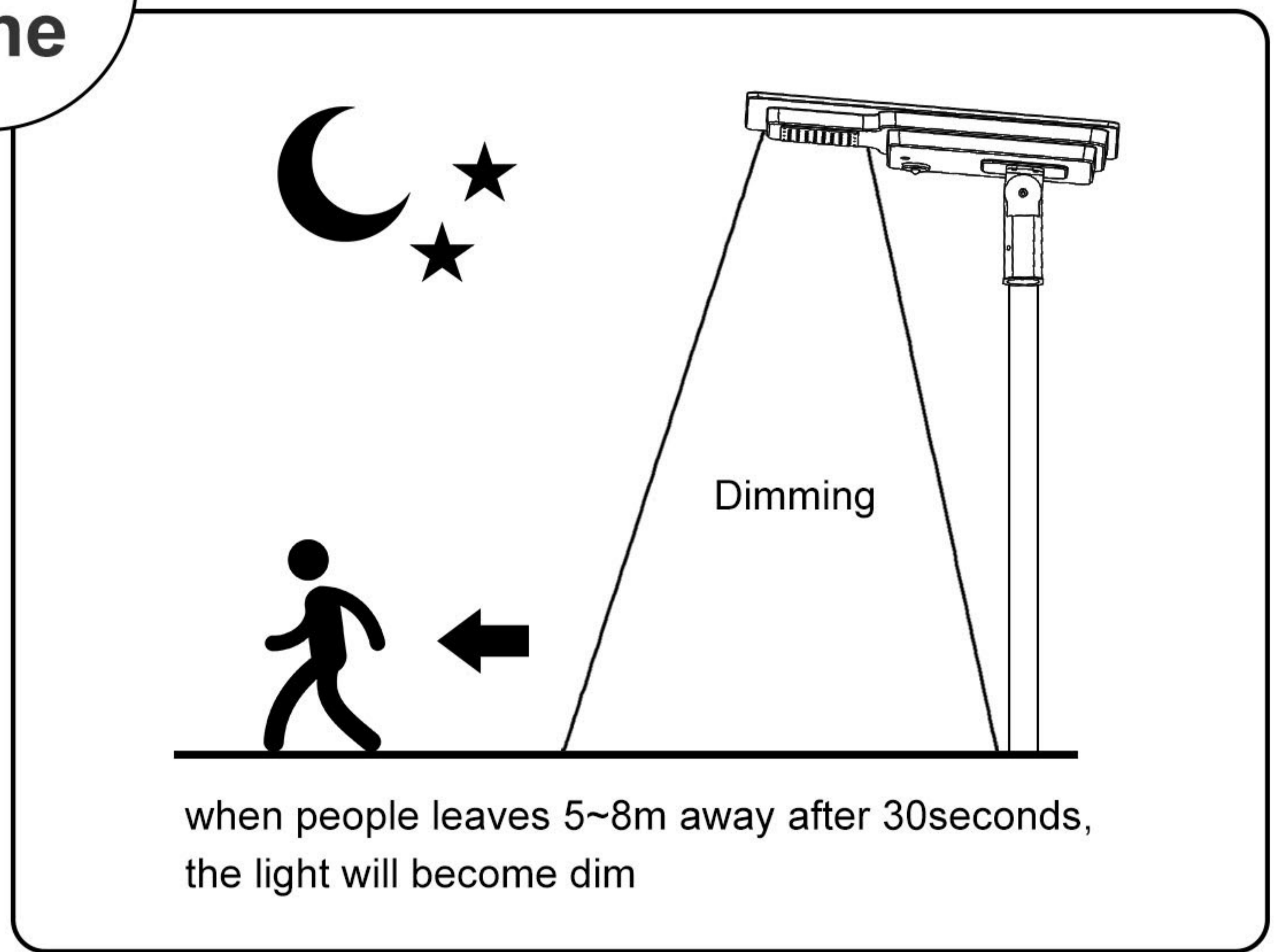
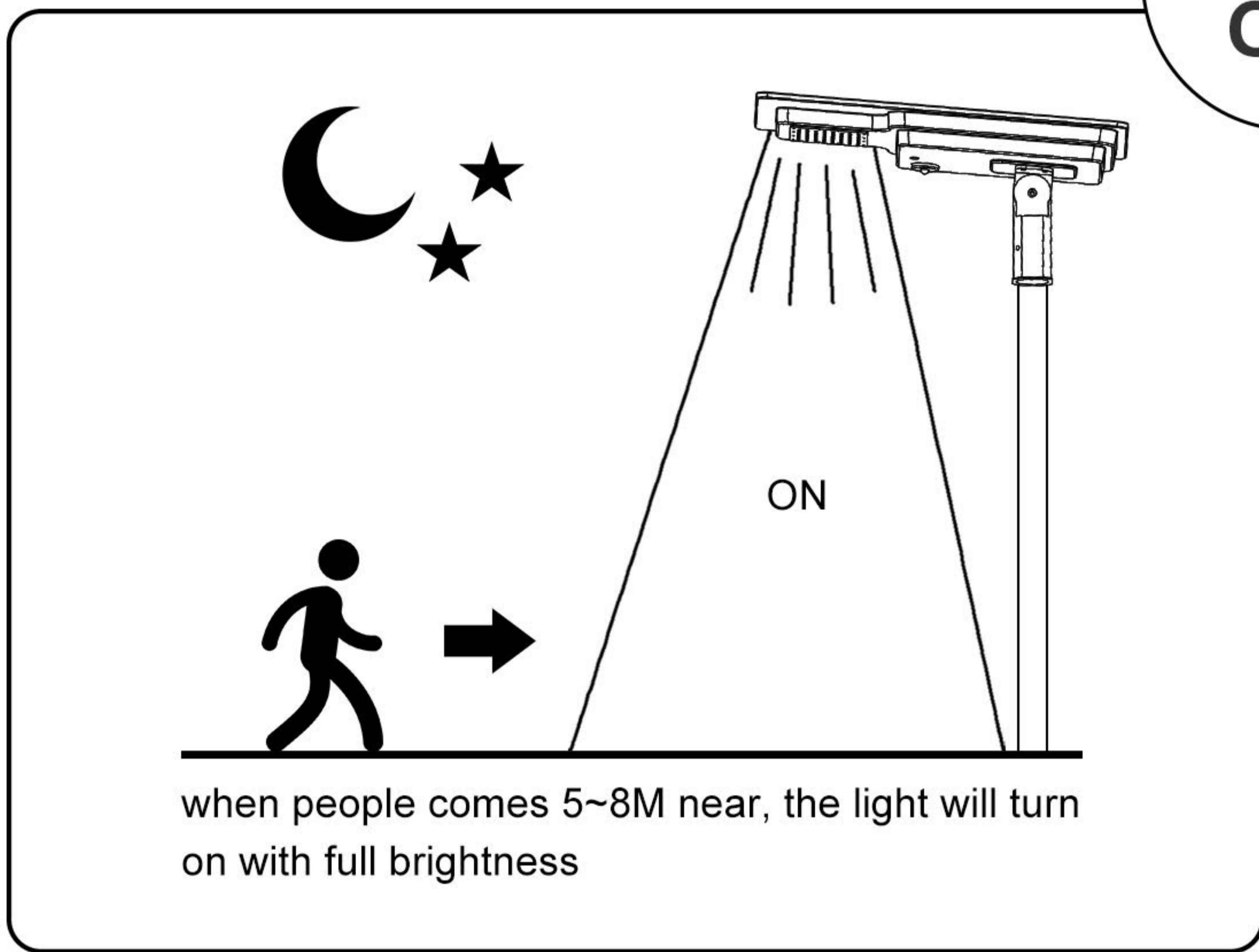


| Model No.   | Packing Size (L*W*H) | N.W.   | G.W.   |
|-------------|----------------------|--------|--------|
| BSYT10Z-FVG | 750*315*410mm/2pcs   | 10.2kg | 11.2kg |
| BSYT20Z-FVG | 750*315*410mm/2pcs   | 10.6kg | 11.6kg |
| BSYT30Z-FVG | 750*315*410mm/2pcs   | 11.0kg | 12.0kg |

# Working Process Instructions

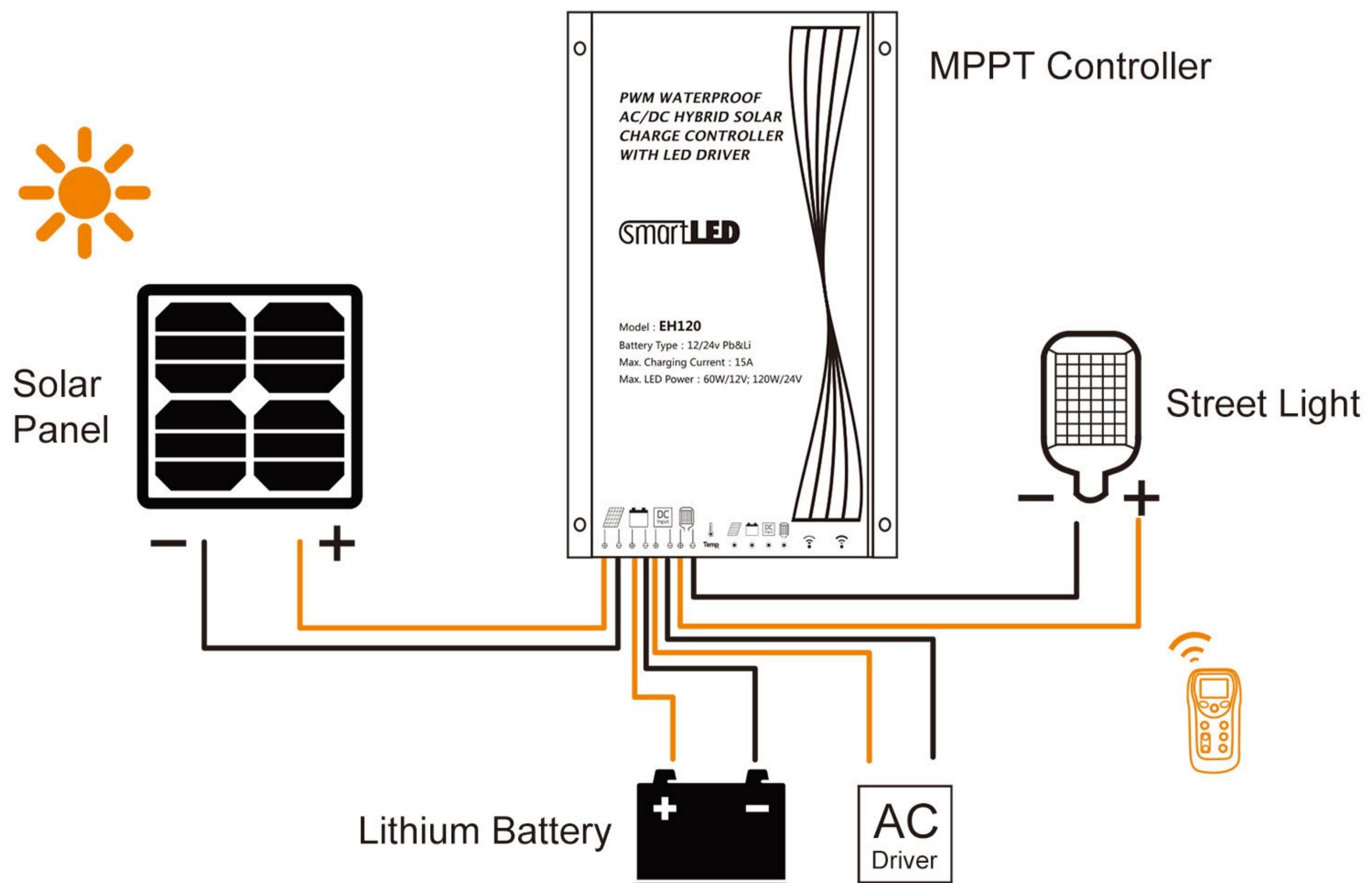


**Type One**



**Type Two**

## Solar electricity hybrid street light system



# Application Scenes

---



Zhejiang Boshang Optoelectronic Co.,Ltd.

Add:Hezhuang Industrial Zone,Xiaoshan District,Hangzhou City,Zhejiang Province,China.

