

LED FLOOD LIGHT



LUMILEDS



RoHS

IP66

IK10



BOPIN
10 years modular outdoor
lighting manufacturer

Function & Features



LED Chips

Using ultra-bright high lumens LED chips with high technology, realizing excellent luminance, low brightness decline.



PC Lens

Adopts high transparency PC lens with soft and well-distributed light, the light transmittance >92%.

IP Design

The lamp is effective, waterproof, dustproof and meets the IP66 standard.

Heat Dissipation

Lamps heat dissipation structure by optimization design, with high thermal conductivity, rational heat distribution, thermal equilibrium.

Adjustable Bracket

200° adjustable, adjust as you want.



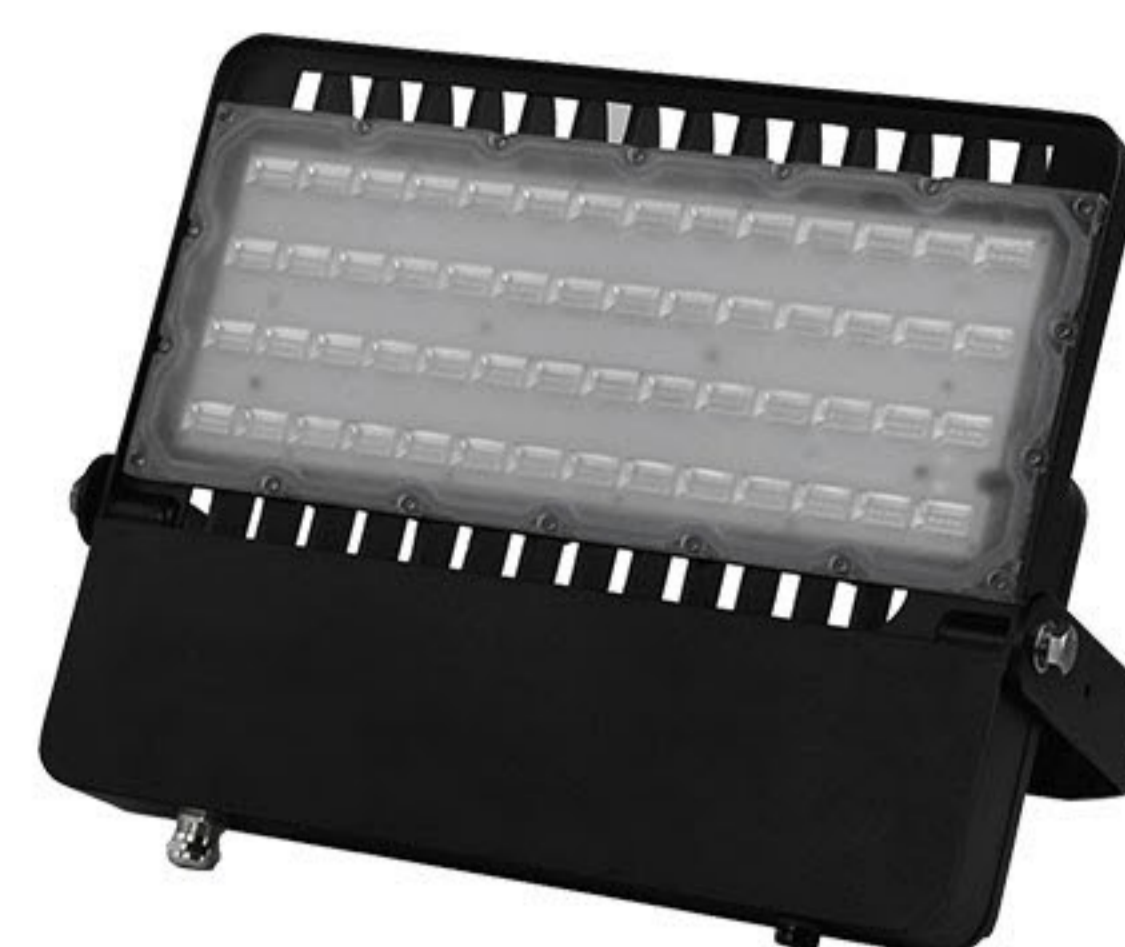
Technical Parameters



BSTG100Z-F14G



BSTG150Z-F14G



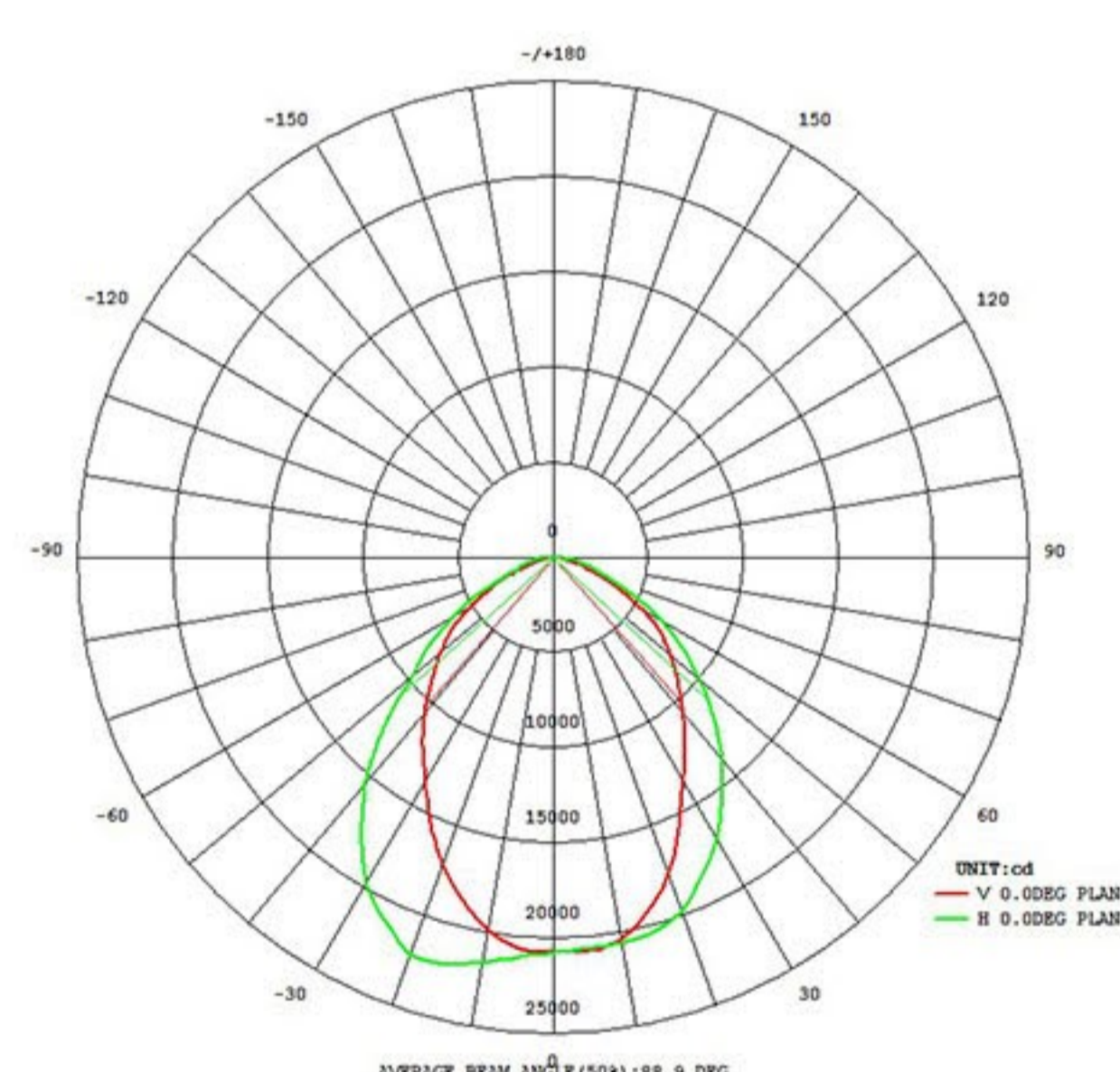
BSTG200Z-F14G



BSTG300Z-F14G

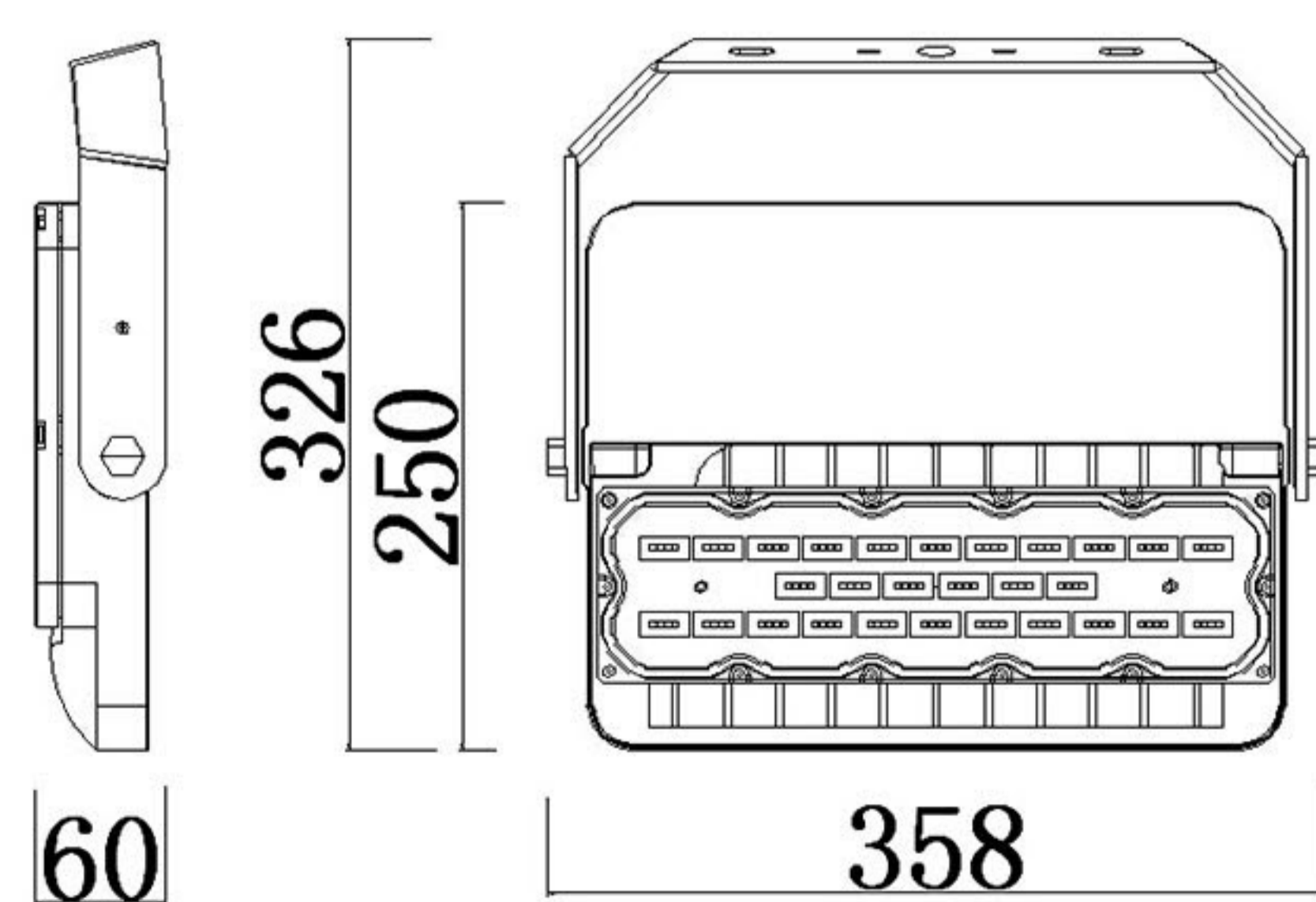
Model No.	BSTG100Z-F14G	BSTG150Z-F14G	BSTG200Z-F14G	BSTG300Z-F14G
Nominal Wattage	100W	150W	200W	300W
Input Voltage	AC100-305V 50/60Hz	AC100-305V 50/60Hz	AC100-305V 50/60Hz	AC100-305V 50/60Hz
CCT	3000K / 4000K / 5000K / 5700K / 6500K			
CRI	75±5	75±5	75±5	75±5
Power Factor	>0.95	>0.95	>0.95	>0.95
Luminaire Efficacy	>110lm/W	>110lm/W	>110lm/W	>110lm/W
Operating Temperature	-40°C ~ 50°C	-40°C ~ 50°C	-40°C ~ 50°C	-40°C ~ 50°C

Distribution Curve

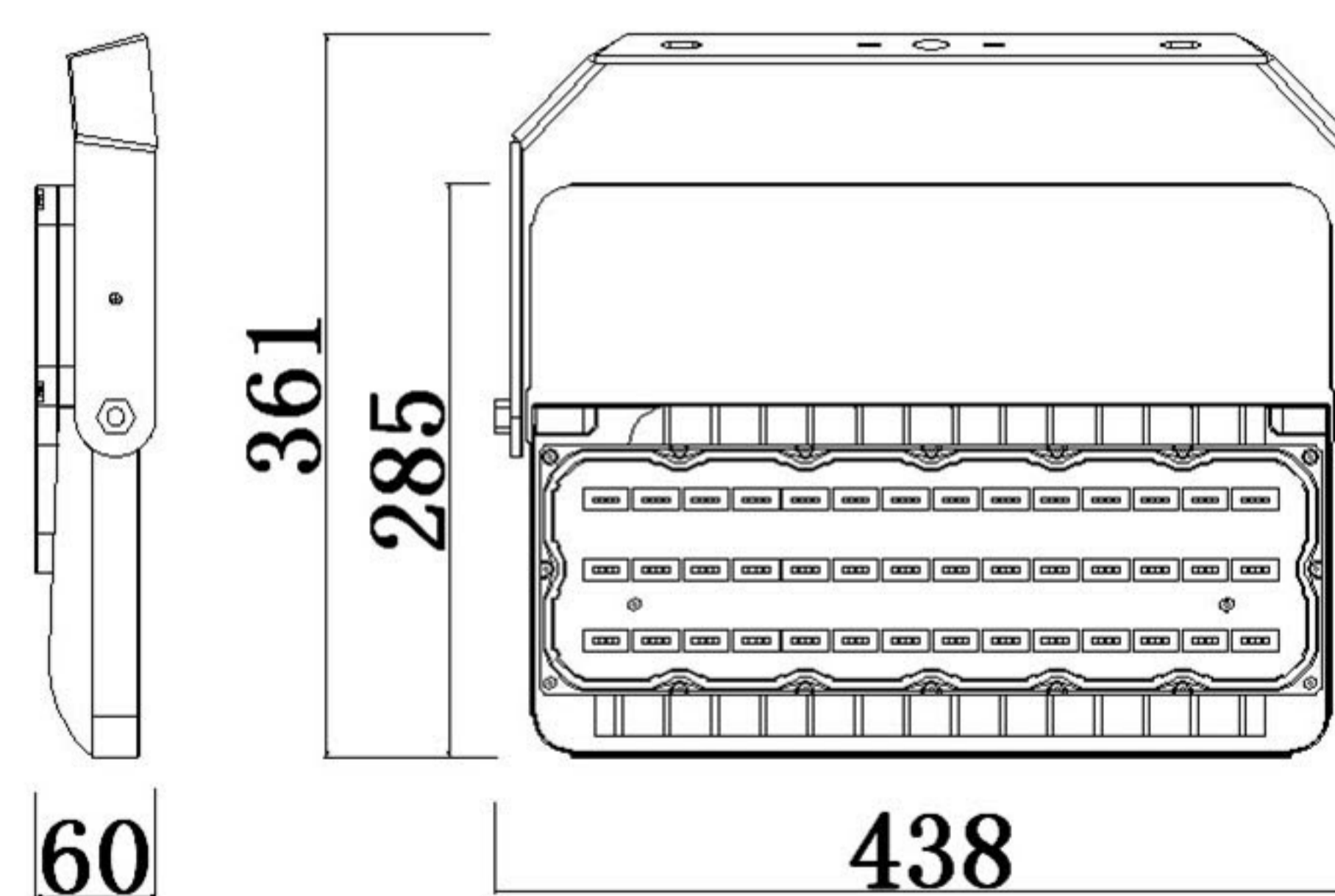


120°*90°

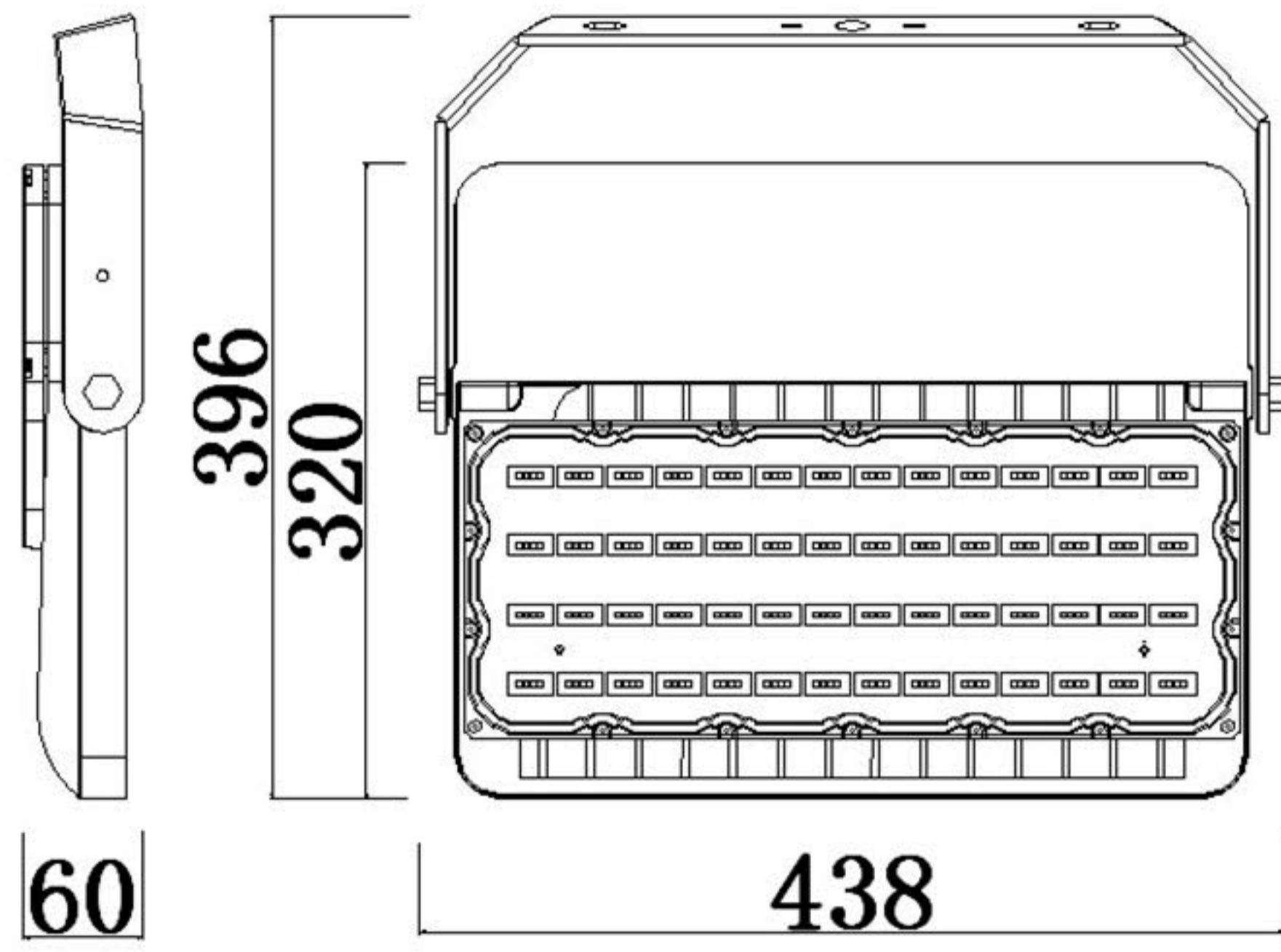
Product Size



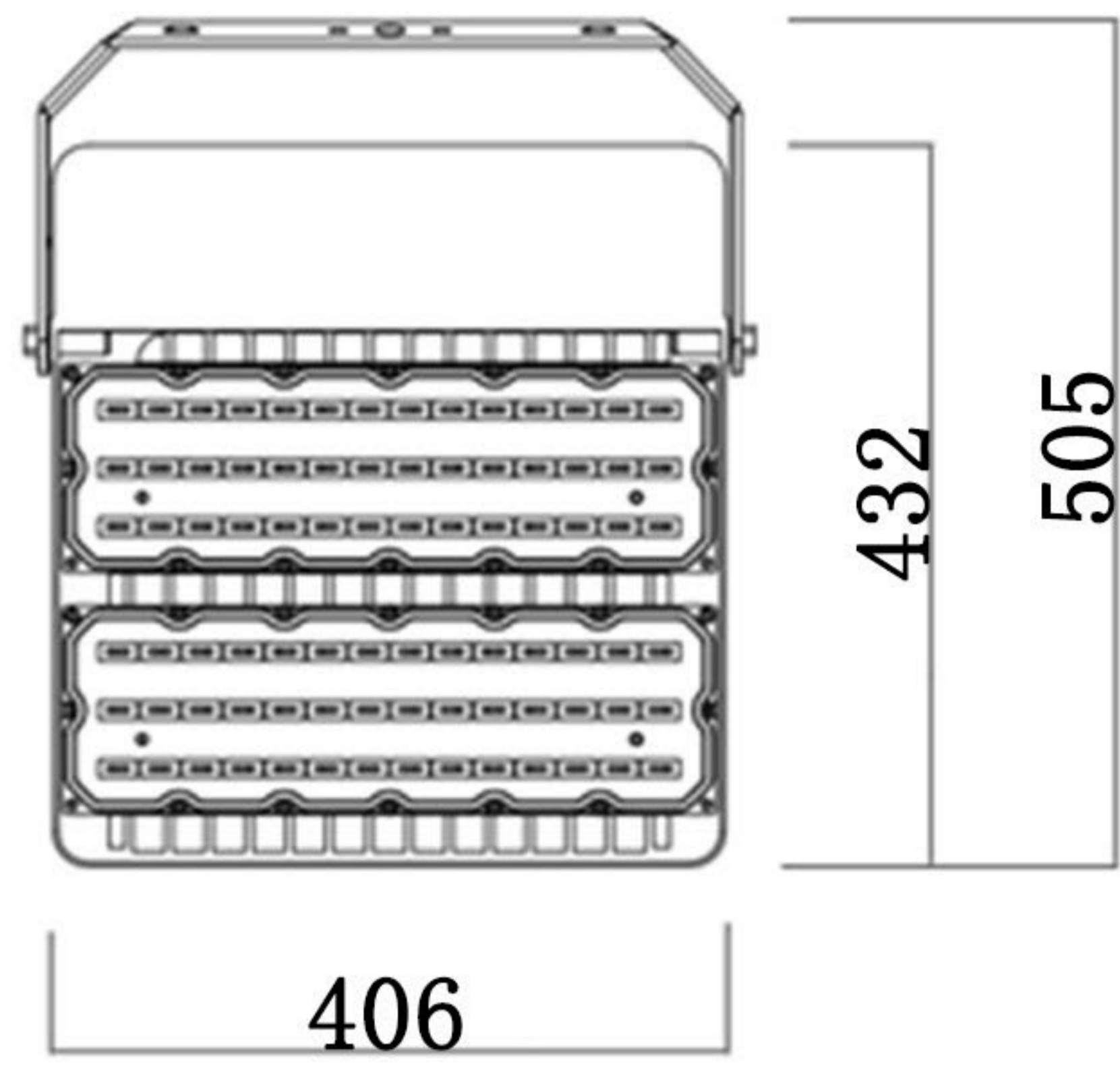
BSTG100Z-F14G



BSTG150Z-F14G



BSTG200Z-F14G



BSTG300Z-F14G

Model	Product Size(L*H*W)	Packing Size(L*H*W)	N.W.	G.W.
BSTG100Z-F14G	358*326*60mm	375*365*115mm	4.0kg	4.5kg
BSTG150Z-F14G	438*361*60mm	455*400*115mm	5.0kg	5.5kg
BSTG200Z-F14G	438*396*60mm	455*435*115mm	5.5kg	6.5kg
BSTG300Z-F14G	406*505*80mm	455*545*135mm	7.0kg	8.0kg

Application Scenes

General lighting for advertising board, building, courtyard, garden, square, dock, tunnel, bridge and some other outdoor places where need lighting and decoration.



Zhejiang Boshang Optoelectronic Co.,Ltd.

Add:Hezhuang Industrial Zone,Xiaoshan District,Hangzhou City,Zhejiang Province,China.

